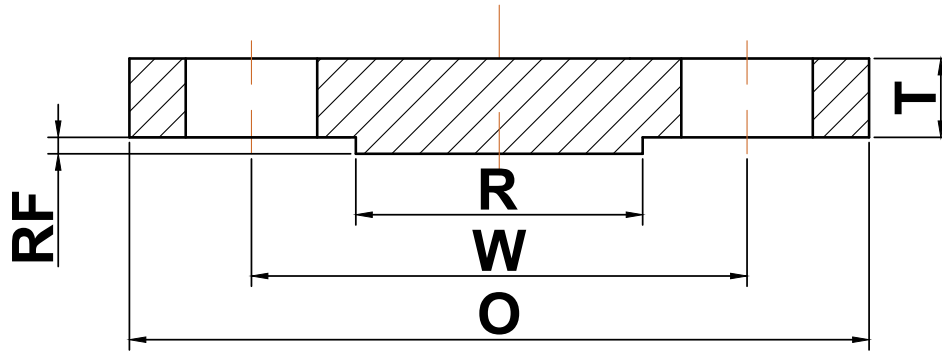


➔ ASME B16.47 series B flange

▶ Class 900 Blind Flanges



Nominal Pipe Size	Outside Diameter (O)	Bolt Circle (W)	Raised Face Diameter (R)	Number of Holes	Diameter of Holes	Minimum Thickness (T)	Approximate Weight (lbs)
26	40.25	35.50	30.00	20	2.62	6.06	2185
28	43.50	38.25	32.25	20	2.88	6.56	2762
30	46.50	40.75	34.50	20	3.12	6.93	3334
32	48.75	43.00	36.50	20	3.12	7.31	3865
34	51.75	45.50	39.00	20	3.38	7.68	4575
36	53.00	47.25	40.50	24	3.12	7.94	4963
38	57.50	50.75	43.25	20	3.62	8.50	6253
40	59.50	52.75	45.75	24	3.62	8.81	6940
42	61.50	54.75	47.75	24	3.62	9.12	7675
44	64.88	57.62	50.00	24	3.88	9.56	8955
46	68.25	60.50	52.50	24	4.12	10.06	10,426
48	70.25	62.50	54.50	24	4.12	10.38	11,398

(a) All dimensions are in inches

(b) These flanges will be furnished with a 1/4" raised face unless otherwise specified.