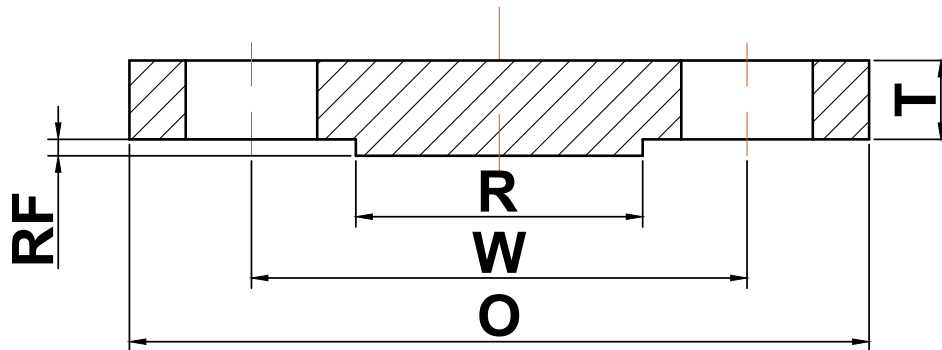


➔ ASME B16.47 series B flange

▶ Class 600 Blind Flanges



Nominal Pipe Size	Outside Diameter (O)	Bolt Circle (W)	Raised Face Diameter (R)	Number of Holes	Diameter of Holes	Minimum Thickness (T)	Approximate Weight (lbs)
26	35.00	31.75	28.62	28	1.75	4.38	1195
28	37.50	34.00	30.88	28	1.88	4.56	1427
30	40.25	36.50	33.12	28	2.00	5.00	1800
32	42.75	38.75	35.25	28	2.12	5.31	2160
34	45.75	41.50	37.50	24	2.38	5.68	2645
36	47.75	43.50	39.75	28	2.38	5.94	3013
38	50.00	45.75	41.50	28	2.38	6.12	3405
40	52.00	47.75	43.75	32	2.38	6.38	3838
42	55.25	50.50	46.00	28	2.62	6.75	4585
44	57.25	52.50	48.25	32	2.62	7.00	5105
46	59.50	54.75	50.25	32	2.62	7.31	5758
48	62.75	57.50	52.50	32	2.88	7.69	6737
50	65.75	60.00	54.50	28	3.12	8.00	7695
52	67.75	62.00	56.50	32	3.12	8.25	8425
54	70.00	64.25	58.75	32	3.12	8.56	9333
56	73.00	66.75	60.75	32	3.38	8.88	10,530
58	75.00	68.75	63.00	32	3.38	9.12	11,414
60	78.50	71.75	65.25	28	3.62	9.56	13,108

(a) All dimensions are in inches

(b) These flanges will be furnished with a 1/4" raised face unless otherwise specified.