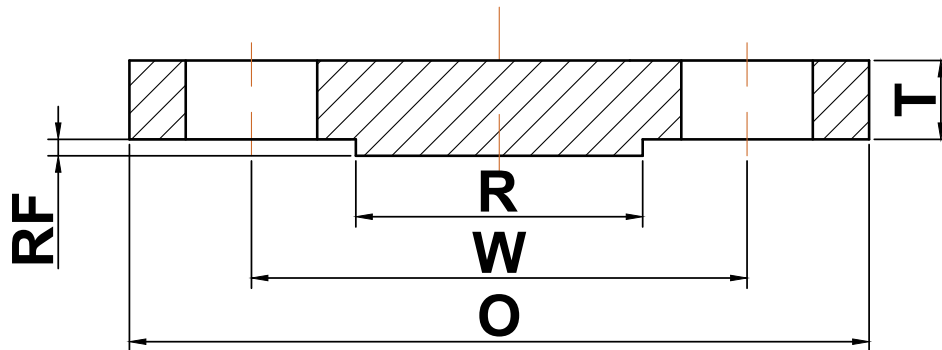


➔ ASME B16.47 series B flange

▶ Class 300 Blind Flanges



Nominal Pipe Size	Outside Diameter (O)	Bolt Circle (W)	Raised Face Diameter (R)	Number of Holes	Diameter of Holes	Minimum Thickness (T)	Approximate Weight (lbs)
26	34.12	31.62	29.00	32	1.38	3.50	905
28	36.25	33.75	31.00	36	1.38	3.50	1023
30	39.00	36.25	33.25	36	1.50	3.69	1250
32	41.50	38.50	35.50	32	1.62	4.06	1556
34	43.62	40.62	37.50	36	1.62	4.06	1719
36	46.12	42.88	39.75	32	1.75	4.06	1920
38	48.12	44.88	41.75	36	1.75	4.38	2257
40	50.12	46.88	43.88	40	1.75	4.56	2550
42	52.50	49.00	46.00	36	1.88	4.69	2875
44	54.50	51.00	48.00	40	1.88	5.00	3305
46	57.50	53.75	50.00	36	2.00	5.12	3766
48	59.50	55.75	52.25	40	2.00	5.31	4183
50	61.50	57.75	54.25	44	2.00	5.50	4629
52	63.50	59.75	56.25	48	2.00	5.68	5096
54	65.88	62.12	58.25	48	2.00	5.88	5679
56	69.50	65.00	60.50	36	2.38	6.18	6642
58	71.94	67.44	62.75	40	2.38	6.38	7347
60	73.94	69.44	65.00	40	2.38	6.56	7980

(a) All dimensions are in inches

(b) These flanges will be furnished with a 1/16" raised face unless otherwise specified.