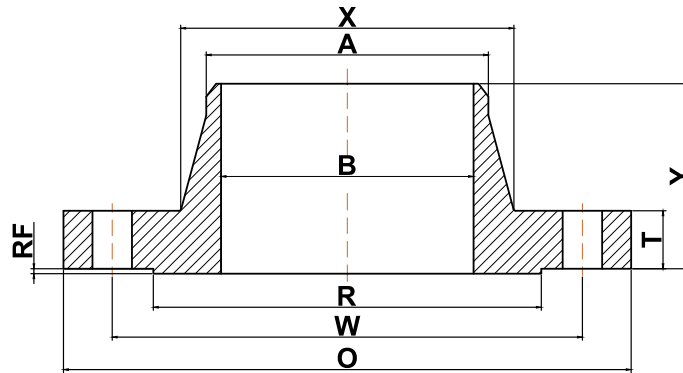


➔ ASME B16.47 series A flange

▶ Class 300 Welding Neck Flanges



Nominal Pipe Size	Outside Diameter (O)	Bolt Circle (W)	Raised Face Diameter (R)	Number of Holes	Diameter of Holes	Bore (B)	Top of Hub (A)	Hub Diameter (X)	Minimum Fillet Radius (r)	Minimum Thickness (T)	Length Thru Hub (Y)	Approximate Weight (lbs)
26	38.25	34.50	29.50	28	1.75	Specified by purchaser	26.00	28.38	0.38	3.12	7.25	605
28	40.75	37.00	31.50	28	1.75	Specified by purchaser	28.00	30.50	0.44	3.38	7.75	745
30	43.00	39.25	33.75	28	1.88	Specified by purchaser	30.00	32.56	0.44	3.62	8.25	870
32	45.25	41.50	36.00	28	2.00	Specified by purchaser	32.00	34.69	0.44	3.88	8.75	1005
34	47.50	43.50	38.00	28	2.00	Specified by purchaser	34.00	36.88	0.50	4.00	9.12	1145
36	50.00	46.00	40.25	32	2.12	Specified by purchaser	36.00	39.00	0.50	4.12	9.50	1275
38	46.00	43.00	40.50	32	1.62	Specified by purchaser	38.00	39.12	0.50	4.25	7.12	695
40	48.75	45.50	42.75	32	1.75	Specified by purchaser	40.00	41.25	0.50	4.50	7.62	840
42	50.75	47.50	44.75	32	1.75	Specified by purchaser	42.00	43.25	0.50	4.69	7.88	950
44	53.25	49.75	47.00	32	1.88	Specified by purchaser	44.00	45.25	0.50	4.88	8.12	1055
46	55.75	52.00	49.00	28	2.00	Specified by purchaser	46.00	47.38	0.50	5.06	8.50	1235
48	57.75	54.00	51.25	32	2.00	Specified by purchaser	48.00	49.38	0.50	5.25	8.81	1380
50	60.25	56.25	53.50	32	2.12	Specified by purchaser	50.00	51.38	0.50	5.50	9.12	1530
52	62.25	58.25	55.50	32	2.12	Specified by purchaser	52.00	53.38	0.50	5.69	9.38	1660
54	65.25	61.00	57.75	28	2.38	Specified by purchaser	54.00	55.50	0.50	6.00	9.94	2050
56	67.25	63.00	59.75	28	2.38	Specified by purchaser	56.00	57.62	0.50	6.06	10.25	2155
58	69.25	65.00	62.00	32	2.38	Specified by purchaser	58.00	59.62	0.50	6.25	10.50	2270
60	71.25	67.00	64.00	32	2.38	Specified by purchaser	60.00	61.62	0.50	6.44	10.75	2470

(A) All dimensions are in inches

(B) These flanges will be furnished with a 1/16" raised face unless otherwise specified.

(C) Standard Bore will be furnished unless otherwise specified.